

## ZL-2203 *Zwei L* Glass Shelf Clamp

### Features

- Superior "Zwei L Finish" - *Zwei L* represents the very pinnacle of ultra-premium Japanese hardware design. The contrasting bands of mirror finish and lustrous satin on a faceted profile give a jewel like finish that highlights and enhances any industrial design

### Notes

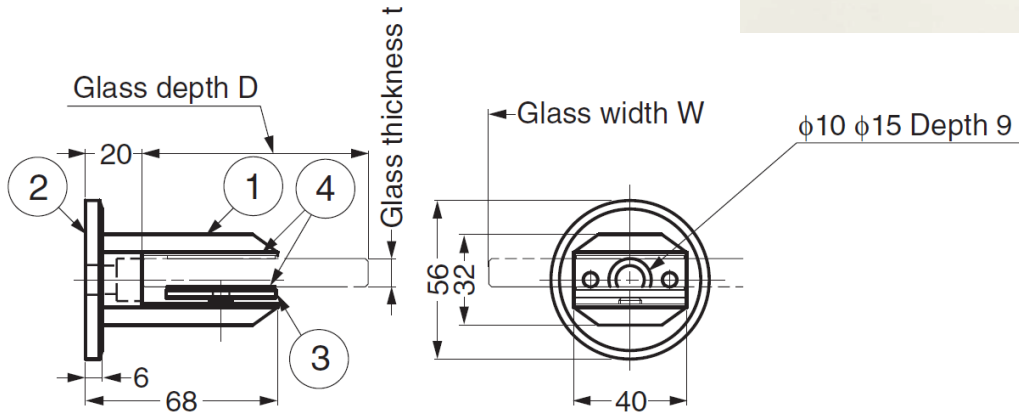
- Glass thickness : 8 mm or 10 mm
- Sold by piece

### Parts Included

- Allen key 6
- Countersunk head wood screw M8×60
- Plug



Installation Example



No.	Part Name	Material	Finish/Colour
①	Clamp	Stainless Steel (SUS316)	Zwei L Finish
②	Base Plate	Stainless Steel (SUS316)	Zwei L Finish
③	Bumper Plate	Stainless Steel (SUS316)	Zwei L Finish
④	Bumper	Rubber	Black

Part No.	Glass Size (per pair)		
	t	D	W
ZL-2203	8 or 10	Max. 240	Max. 640